



SINGLE KEY (M12) TPE MICRO-LINK™ PLUG ASSEMBLIES

SPECIFICATIONS

MATERIALS

Body	PUR
O-Ring	Nitrile Rubber
Contact	Brass, Gold Plated over Nickel
Coupling Nut	Machined Aluminum, Black Anodized
Cable	#18 AWG TPE 41 x #34 Stranding, 105°C, UL Recognized, CSA Certified
Cable Diameters	#18 AWG TPE, 3/C-.26", 4/C-.26", 5/C-.26"

ELECTRICAL

Voltage Rating	250 VAC/300 VDC
Current	#18 AWG-5A
Contact Resistance	≤5mΩ

ENVIRONMENTAL

Protection	IP67
Operating Temp	PUR: -20°C to 80°C

CERTIFICATIONS

Recognized,
File No. E165657

Certified,
File No. E165657

OPTIONS

Plastic Couplers
Stainless Steel Couplers

FEMALE PLUGS

PLUG ASSEMBLY PART NUMBERS

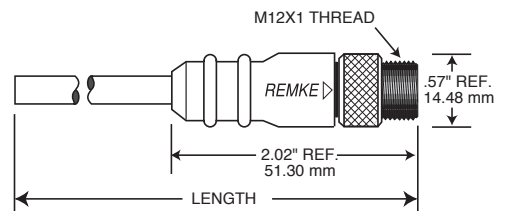
NUMBER OF POLES	Female Contact Rotation	Wiring Color Code
3		1-Brown 2-Not Used 3-Blue 4-Black
4		1-Brown 2-White 3-Blue 4-Black
5		1-Brown 2-White 3-Blue 4-Black 5-Gray

MALE PLUGS

PLUG ASSEMBLY PART NUMBERS

Number of Poles	Male Contact Rotation	Wiring Color Code
3		1-Brown 2-Not Used 3-Blue 4-Black
4		1-Brown 2-White 3-Blue 4-Black
5		1-Brown 2-White 3-Blue 4-Black 5-Gray

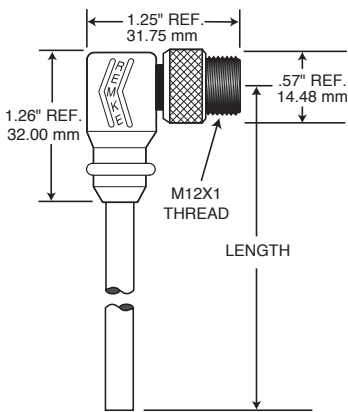
*Braid not electrically connected.



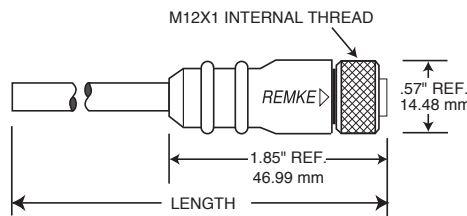
MALE STRAIGHT

	Length	Wire Gauge (AWG)	Straight Plug	90° Plug	Mating Male Receptacle
	2M/6.6 FT.	#18 (TPE)	503A0066AR	503C0066AR	303P0010N
	4M/13.1 FT.	#18 (TPE)	503A0131AR	503C0131AR	303P0010N
	5M/16.4 FT.	#18 (TPE)	503A0164AR	503C0164AR	303P0010N
	2M/6.6 FT.	#18 (TPE)	504A0066AR	504C0066AR	304P0010N
	4M/13.1 FT.	#18 (TPE)	504A0131AR	504C0131AR	304P0010N
	5M/16.4 FT.	#18 (TPE)	504A0164AR	504C0164AR	304P0010N
	2M/6.6 FT.	#18 (TPE)	505A0066AR	505C0066AR	305P0010N
	4M/13.1 FT.	#18 (TPE)	505A0131AR	505C0131AR	305P0010N
	5M/16.4 FT.	#18 (TPE)	505A0164AR	505C0164AR	305P0010N

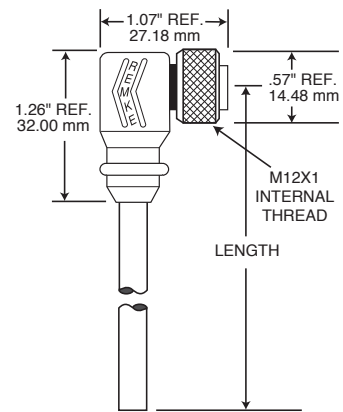
	Length	Wire Gauge (AWG)	Straight Plug	90° Plug	Mating Female Receptacle
	2M/6.6 FT.	#18 (TPE)	503E0066AR	503F0066AR	303S0010N
	4M/13.1 FT.	#18 (TPE)	503E0131AR	503F0131AR	303S0010N
	5M/16.4 FT.	#18 (TPE)	503E0164AR	503F0164AR	303S0010N
	2M/6.6 FT.	#18 (TPE)	504E0066AR	504F0066AR	304S0010N
	4M/13.1 FT.	#18 (TPE)	504E0131AR	504F0131AR	304S0010N
	5M/16.4 FT.	#18 (TPE)	504E0164AR	504F0164AR	304S0010N
	2M/6.6 FT.	#18 (TPE)	505E0066AR	505F0066AR	305S0010N
	4M/13.1 FT.	#18 (TPE)	505E0131AR	505F0131AR	305S0010N
	5M/16.4 FT.	#18 (TPE)	505E0164AR	505F0164AR	305S0010N



MALE 90°



FEMALE STRAIGHT



FEMALE 90°

